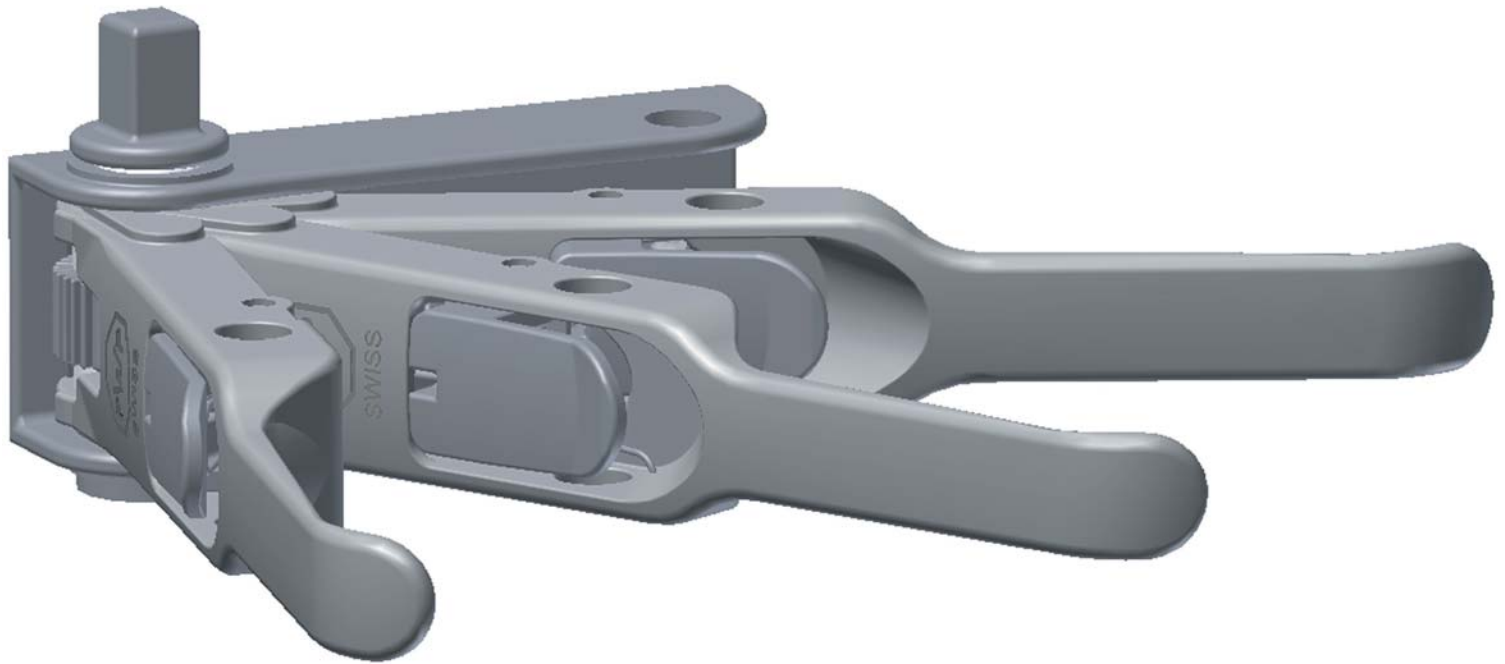


# PWP Tender Ratchet clamp

 PWP SA





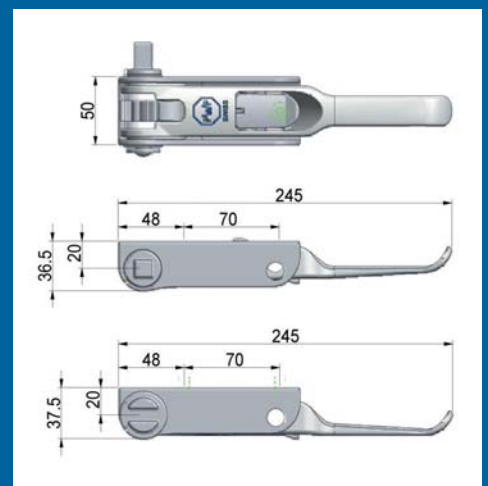
## PWP Tender

The PWP Tender ratchet clamp is a further development on the patented rotating bar lock of the type BOXER.

Features of the PWP Tender:

- compact mass for mounting on all bridge structures
- one-hand operational
- optimal awning tension via three ratchet positions with short tension span (twelve-toothed rack-gear)
- steel working parts
- low maintenance due to fitted polyamide bush lining
- customs compliant
- available in two models
  - with a four-canted extension for a draw-in tube of  $\varnothing$  27 mm
  - with a slit extension for a draw-in tube of  $\varnothing$  35 mm
- multi-functional
- lockable
- galvanized against corrosion

**PWP – the value is in the detail**



PWP Tender four-canted extension left  
Art.-Nr. 2 200 001

PWP Tender four-canted extension right  
Art.-Nr. 2 200 002

PWP Tender slit extension left  
Art.-Nr. 2 200 101

PWP Tender slit extension right  
Art.-Nr. 2 200 102

 **PWP SA**

CH-1530 Payerne/Switzerland  
Tel. ++41 26 662 71 11, Fax ++41 26 662 75 40  
E-Mail [office@pwp-sa.ch](mailto:office@pwp-sa.ch)  
[www.pwp-sa.ch](http://www.pwp-sa.ch)