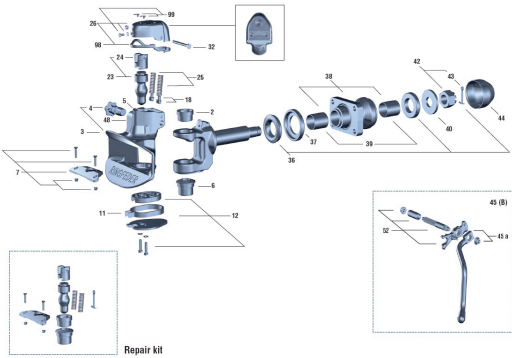
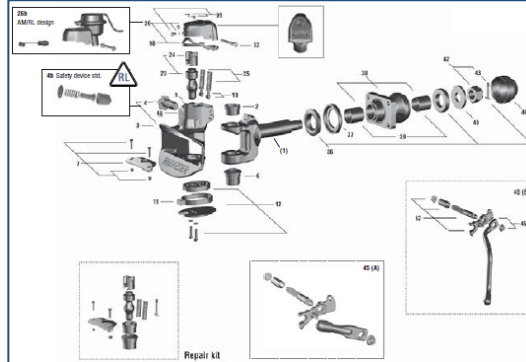


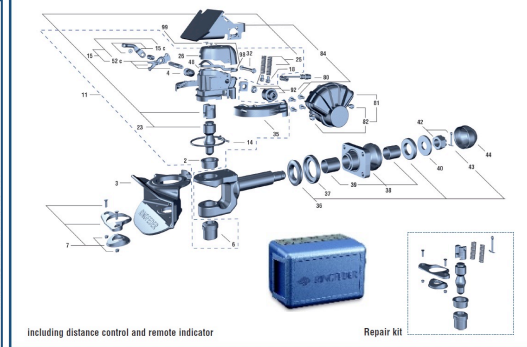
Type 303 AUS



Type 303 AUS - AM / RL



Type 5055 AUS - AP



Type 480

Part # 9994939

Replacement Bushes
Standard bush: 10996597
Oversize bush: 10996570



Weld In Drawbar Eye

Part # 6991394



Replacement Bushes
Standard bush: 10996597
Oversize bush: 10996570

Type 303 AUS		
Pos.	No.	Designation
2	14 991 384	Top guide bush
3	14 998 889	Coupling body
4	15 990 003	Manual safety device
6	14 991 407	Bottom guide bush
7	06 998 321	Special plastic plate
7 a	09 996 770	Wearing plate (cast iron)
11	07 995 610	Return spring
12	14 991 399	Tab washer
18	07 998 341	Spring arm
23	14 991 375	Coupling bolt
25	14 991 273	Locking spring
26	14 997 511	End cap, cpl.
32	14 991 359	Hexagon screw M10 x 115, 10.9
36	14 994 568	Rubber spring
37	14 994 472	Thrust washer
38	14 994 463	Bar guide
39	14 994 876	Bearing bush
40	14 994 496	Tension washer
42	06 997 732	Castellated nut M45 x 3
43	12 991 533	Cotter pin 8 X 80
44	14 994 455	Protecting cap
45	14 996 858	Hand-locking lever combination design B
45 a	14 997 190	Hand lever bent, design B
48	09 122 900	Plug for sensor hole (10 pieces)
52	14 996 842	Axle with locking lever
98	09 177 600	Sealing incl. grease plugs
99	09 177 500	Grease plug (10 pieces)
101 AUS KIT		Repair kit (Pos. 2 + 6 + 7 + 23 + 43)

Type 303 AUS / 303 AUS/RL		
Pos.	No.	Designation
2	14 991 384	Top guide bush
3	14 998 889	Coupling body
4	15 990 003	Manual safety device
4b	14 994 478	Safety device standard
6	14 991 407	Bottom guide bush
7	06 998 321	Special plastic plate
7 a	09 996 770	Wearing plate (cast iron)
11	07 995 610	Return spring
12	14 991 399	Tab washer
18	07 998 341	Spring arm
23	14 991 375	Coupling bolt
25	14 991 273	Locking spring
26	14 997 511	End cap, cpl.
26b	14 991 390	End cap AM, cpl.
32	14 991 359	Hexagon screw M10 x 115, 10.9
36	14 994 568	Rubber spring
37	14 994 472	Thrust washer
38	14 994 463	Bar guide
39	14 994 876	Bearing bush
40	14 994 496	Tension washer
42	06 997 732	Castellated nut M45 x 3
43	12 991 533	Cotter pin 8 X 80
44	14 994 455	Protecting cap
45	14 996 858	Hand-locking lever combination design B
45 a	14 997 190	Hand lever bent, design B
46	14 991 391	Hand-locking lever combination design A
46 a	14 991 312	Hand lever bent, design A
48	09 122 900	Plug for sensor hole (10 pieces)
52	14 996 842	Axle with locking lever
98	09 177 600	Sealing incl. grease plugs
99	09 177 500	Grease plug (10 pieces)
100	14 996 426	Remote indicator
101 AUS KIT		Repair kit (Pos. 2 + 6 + 7 + 23 + 43)

Type 5055 AP - AUS		
Pos.	No.	Designation
2	14 995 463	Top guide bush
3	14 991 247	Coupling body
4	14 994 478	Safety device
6	14 991 239	Bottom guide bush
7	14 991 255	Wearing plate (cast iron)
11	14 991 315	Coupling mechanism hand leverleft cpl. without sensor
14	14 994 529	Return spring
15	14 991 253	Hand-locking lever combination design AW, AP
15c	14 991 236	Hand lever design AW, AP, left
18	07 998 341	Spring arm
23	14 991 279	Coupling bolt
25	14 991 273	Locking spring
26	14 991 367	End cap
32	14 991 359	Hexagon screw M10 x 115, 10.9
35	14 991 287	Plastic cover for mechanism
36	14 994 568	Rubber spring
37	14 994 472	Thrust washer
38	14 994 463	Bar guide
39	14 994 876	Bearing bush
40	14 994 496	Tension washer
42	6 997 732	Castellated nut M45 x 3
43	12 991 533	Cotter pin 8 X 80
44	14 994 455	Protecting cap
48	09 122 900	Plug for sensor hole (10 pieces)
52c	14 991 261	Axle with locking lever
53	14 996 031	Valve box cpl.
53a	14 996 047	Valve box without valves
80	14 991 406	Sensor
81	14 994 516	Power Actuator
82	14 994 474	Air nipples for Power Actuator
84	14 991 292	Bracket kit
92	14 991 316	Adapter kit
98	09 177 600	Sealing incl. grease plugs
99	09 177 500	Grease plugs (10 pieces)
14 991 237		Repair kit (Pos. 2 + 6 + 7 + 23 + 43)



VBG MechMatic

VBG MechMatic keeps the coupling mechanism clean, which reduces the need for lubricants compared with traditional lubrication procedures. The oil can be injected in the form of a thin mist, which is cheaper and better for the environment.



Specification
VBG MechMatic 24V
VBG MechMatic 12V
Weight

Part no.
07-113000
07-115100
2,52 kg

Type approval no.:
E5*10R-05142