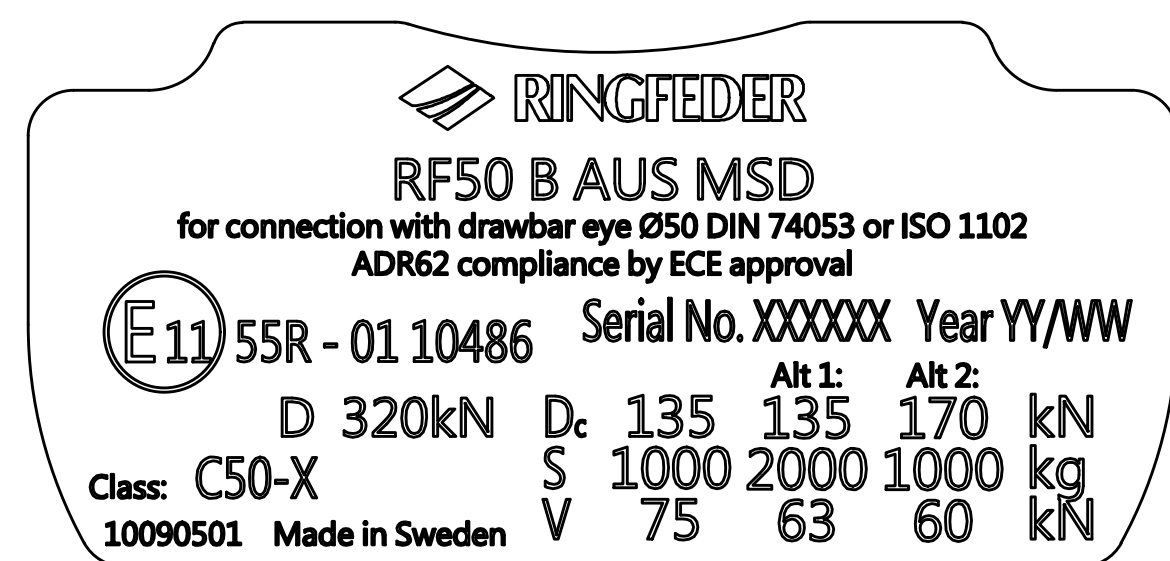
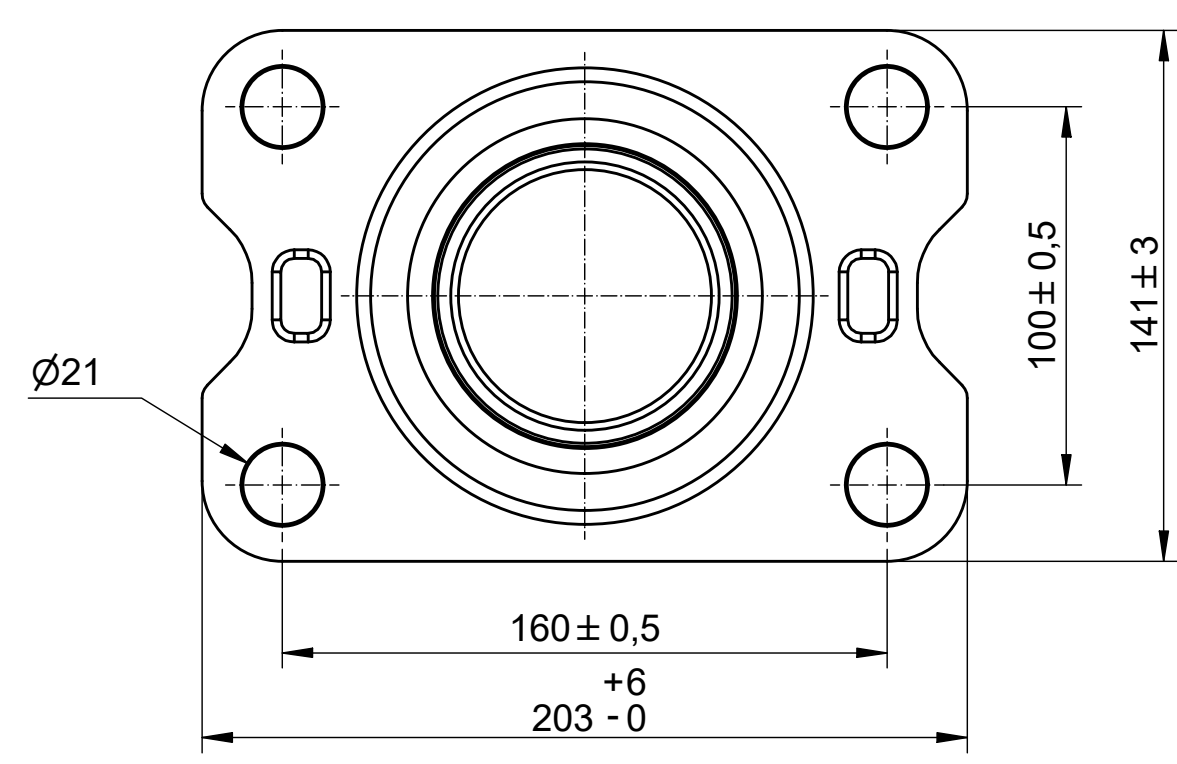


Identification plate



Lochbild / Hole pattern



Winkelausschläge der Zugöse D50:
Angle of of drawbar eye:

- Horizontal ± 90° min
- Vertikal ± 20°
- Axial 360° bei einem Mindestdrehmoment von 100 Nm
with a minimum torque of 100 Nm

Fastening torques according to mounting instruction
Anzugsmomente gemäß Montageanleitung

		Modified Date	Modified by	Modification No.	Issue
		2021-03-29	JL	13001	a
VBG GROUP Description RF50 B AUS MSD		3D Model No.	Sheet Size	Scale	Prepared by
		15990579	A1	1 : 2	HBH
		Stage	Drawing No.	Drawing Date	Checked by
		P	15990579(F) Info	2019-12-16	HBH